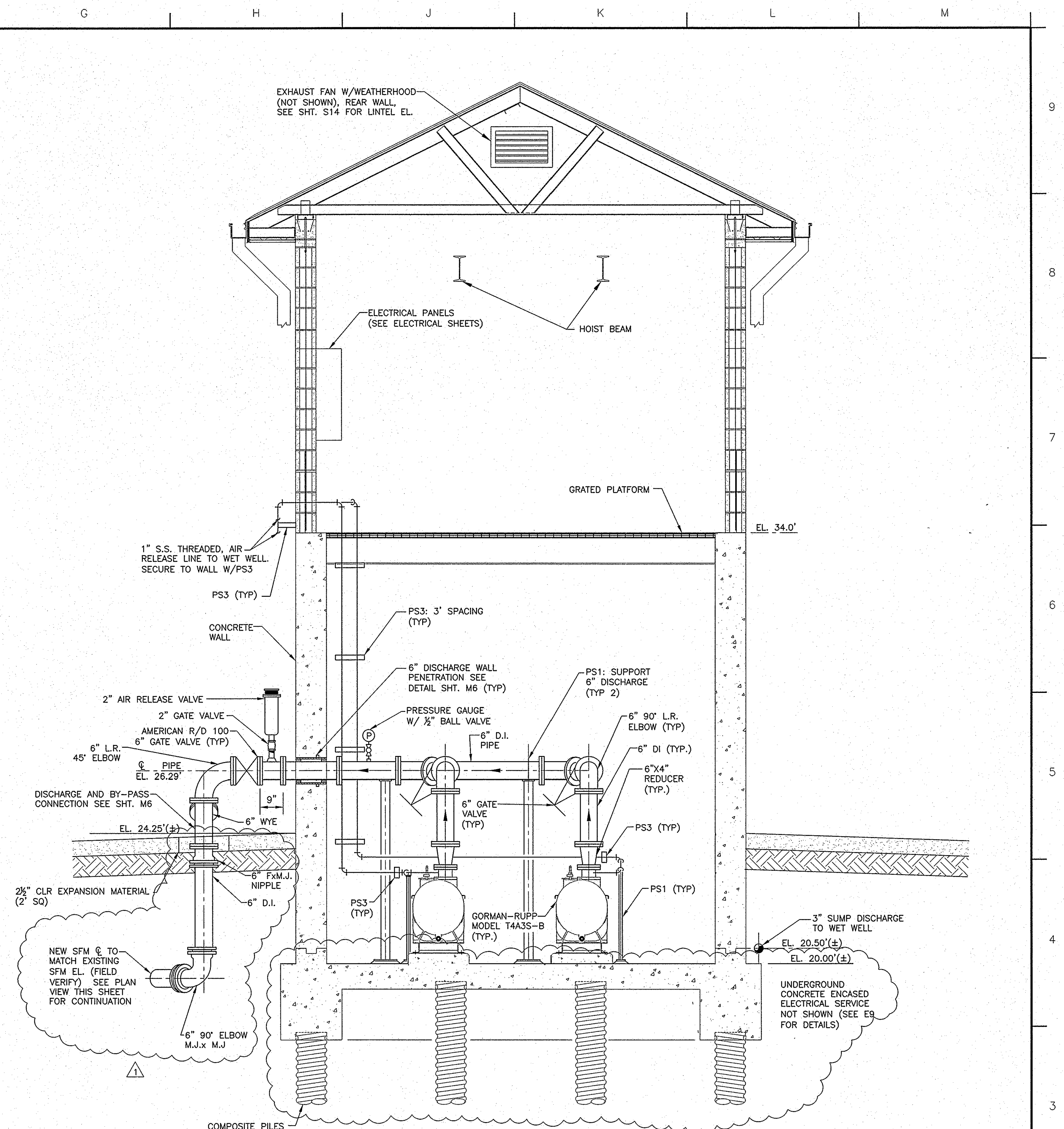
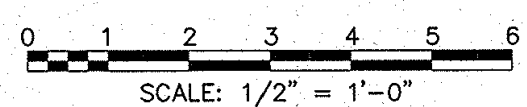
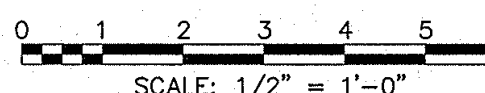


BUILDING PLAN @ EL. 32.00' AND WET WELL
SCALE: 1/2" = 1'-0"

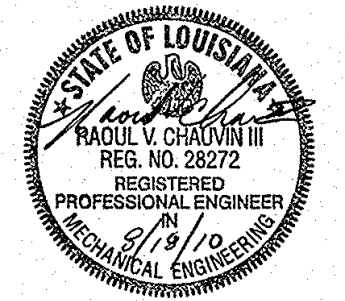


SECTION
SCALE: 1/2" = 1'-0"



FOR REFERENCE ONLY

FOR CONSTRUCTION
AUGUST 18, 2010



Infinity
Engineering Consultants, LLC
NEW ORLEANS, LA 70112
504-304-0548 IEC JOB No.: 09-001

REV.	DATE	DESCRIPTION	BY
1	08/18/10	ROTATED BUILDING AND APPURTENANCES	RVC

SEWERAGE AND WATER BOARD OF NEW ORLEANS

CONTRACT No. 3630
HURRICANE KATRINA RELATED REPLACEMENTS OF SOUTHERN SCRAP AND MECO SEWAGE PUMPING STATIONS

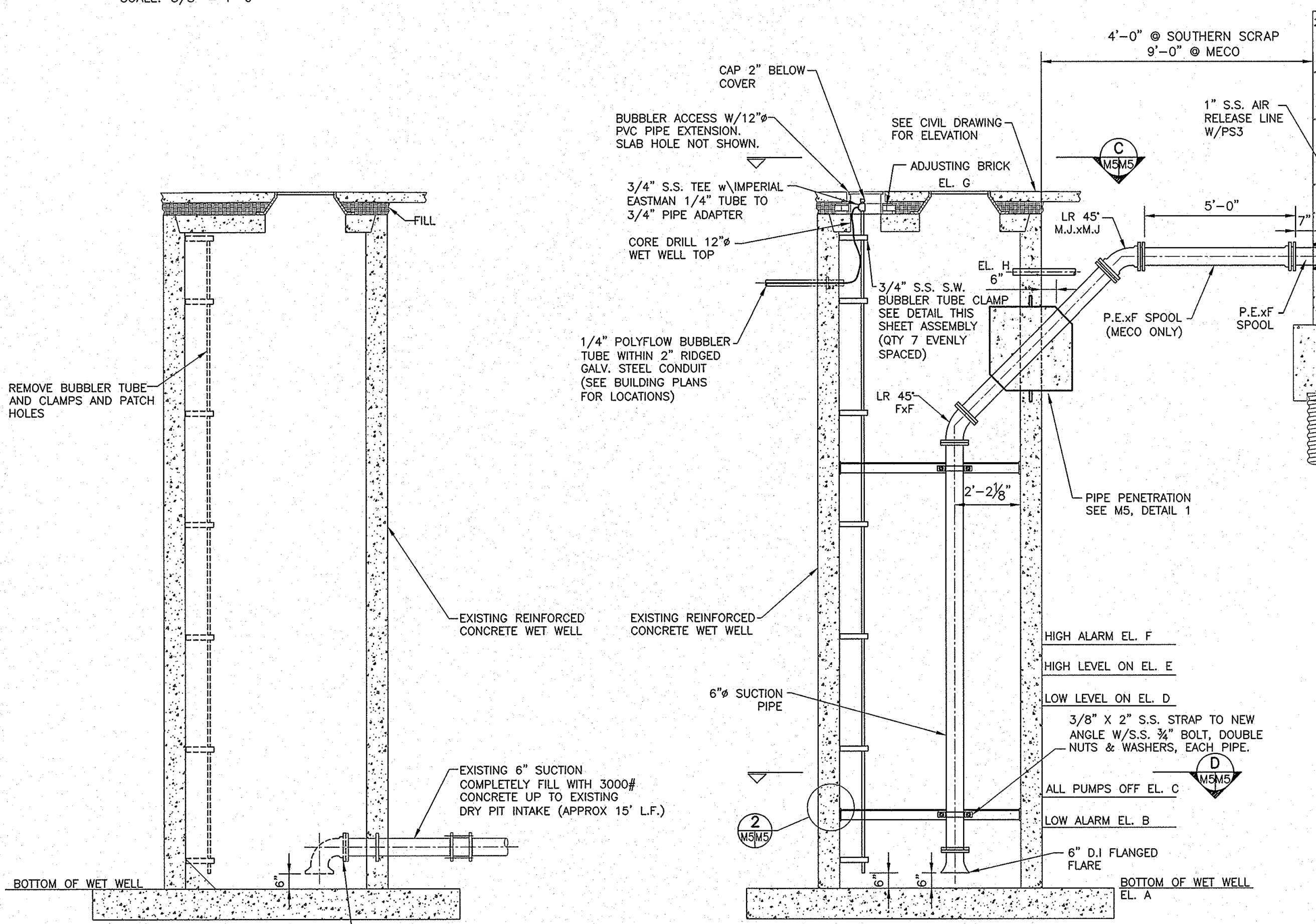
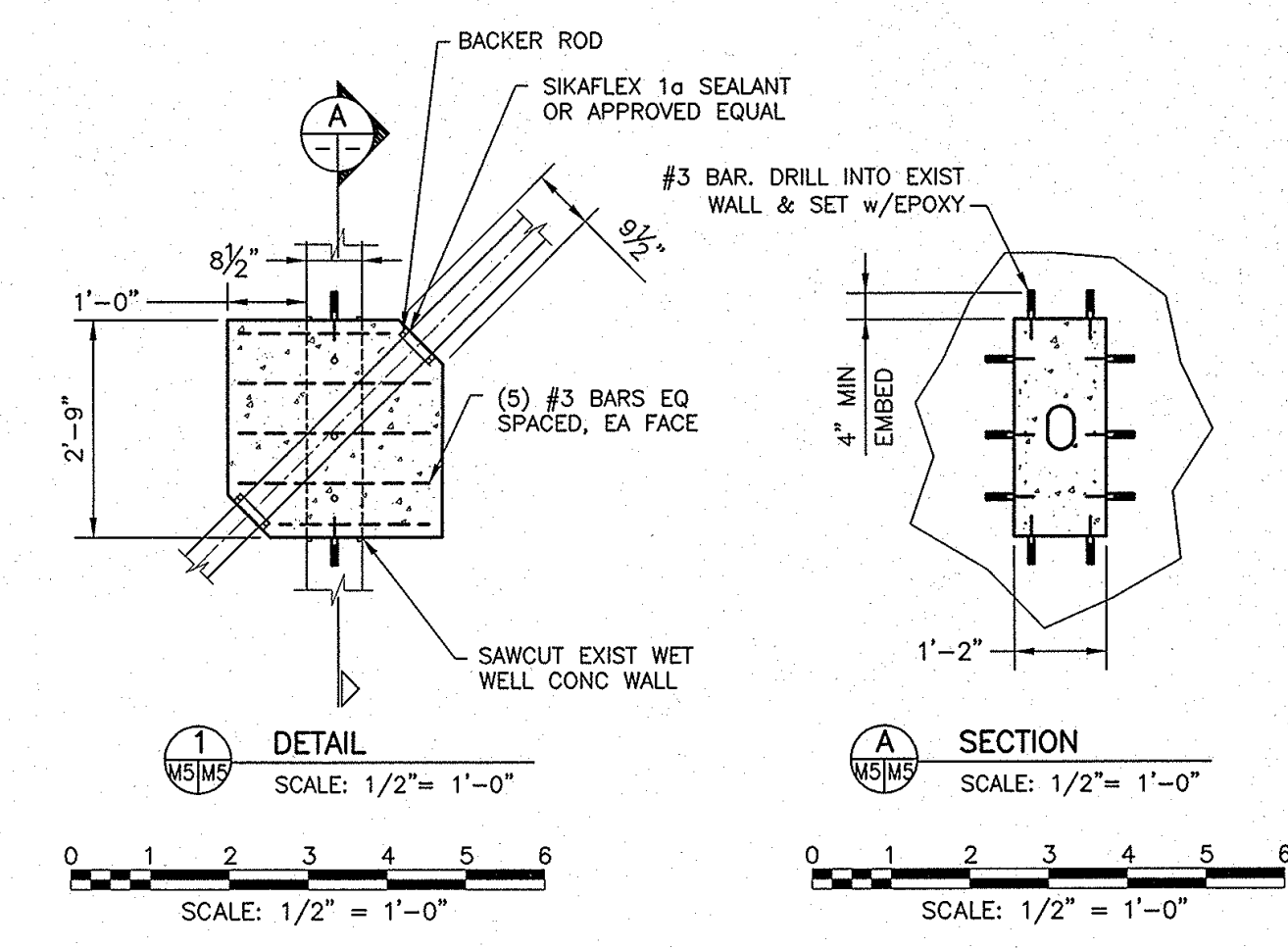
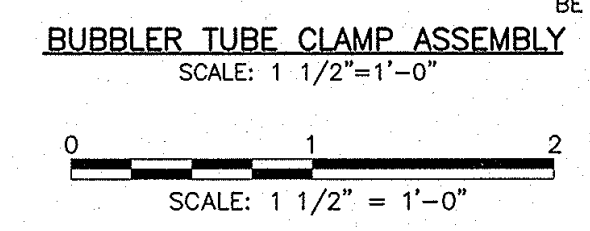
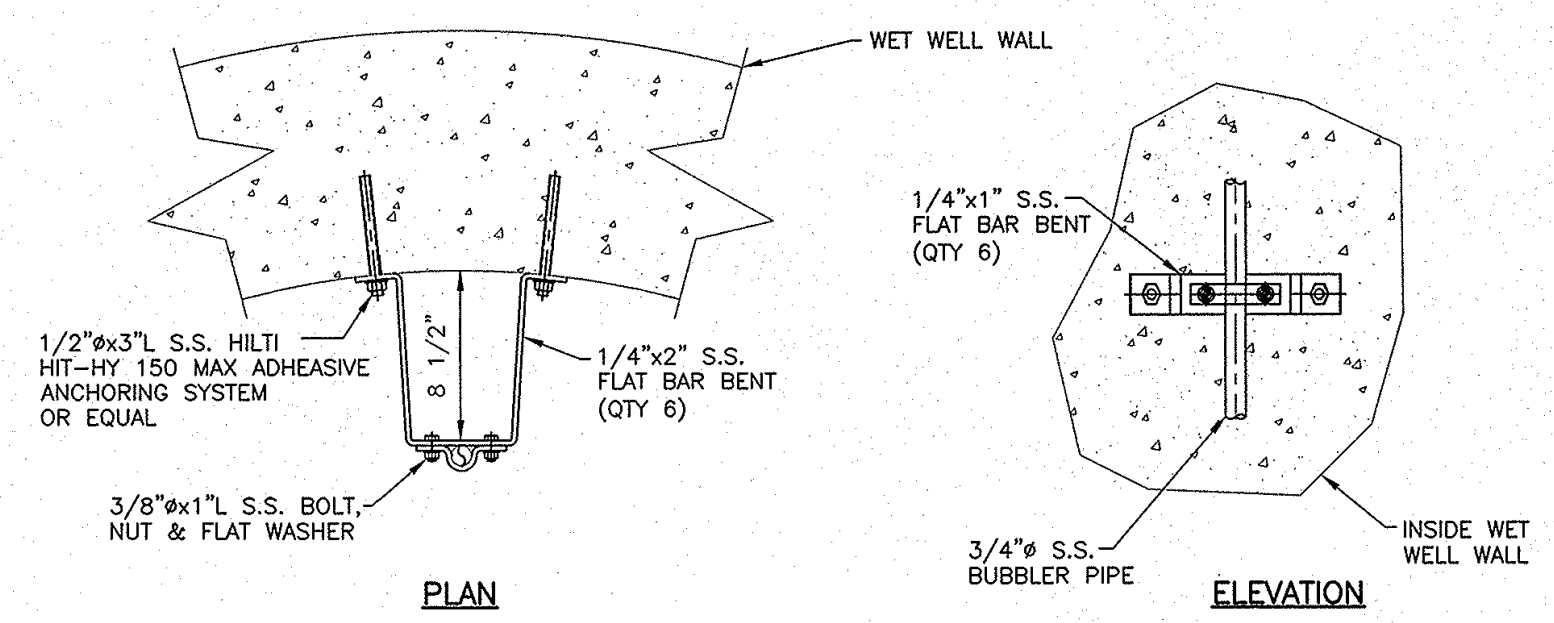
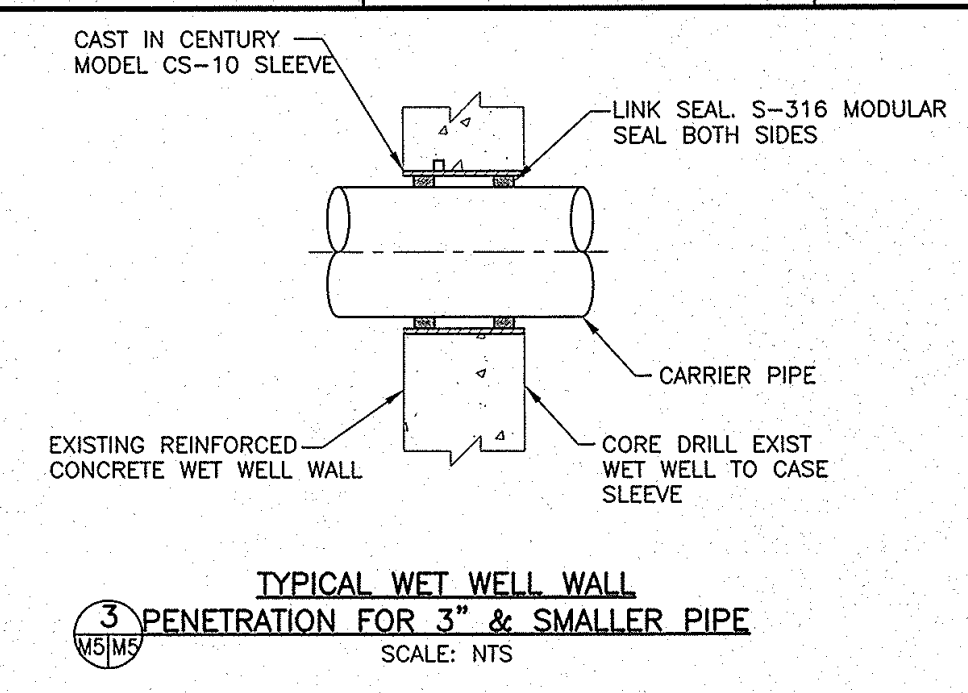
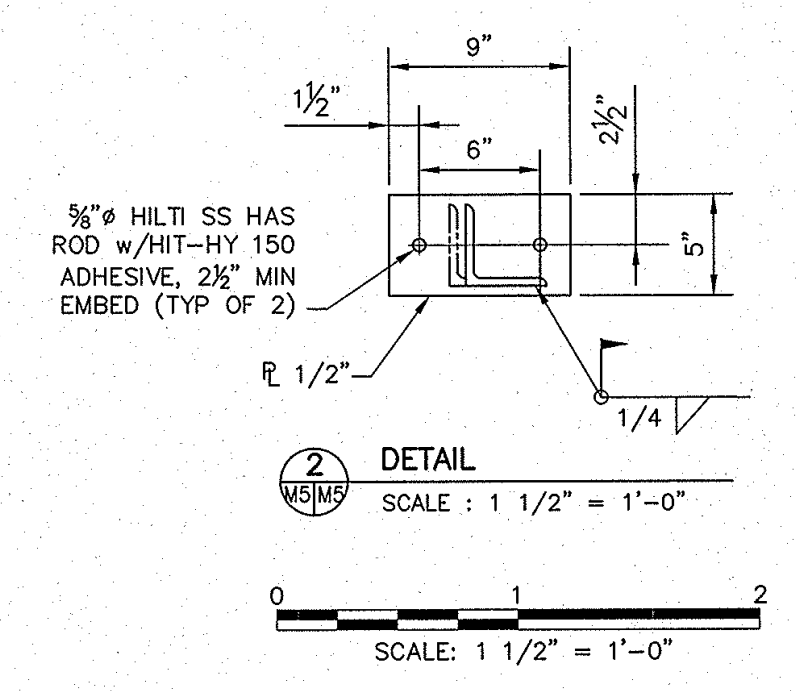
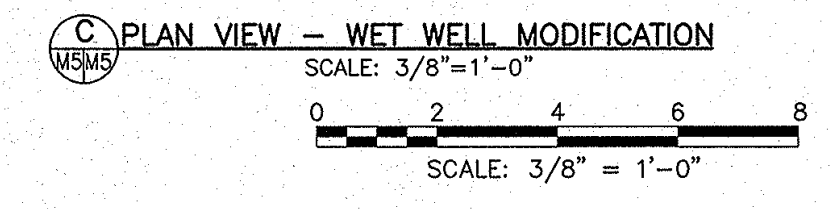
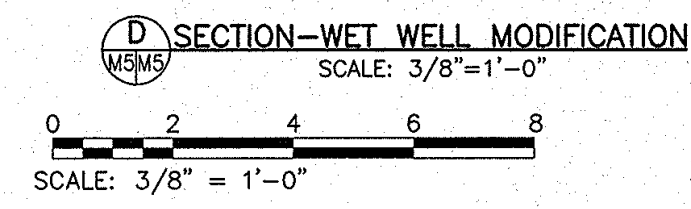
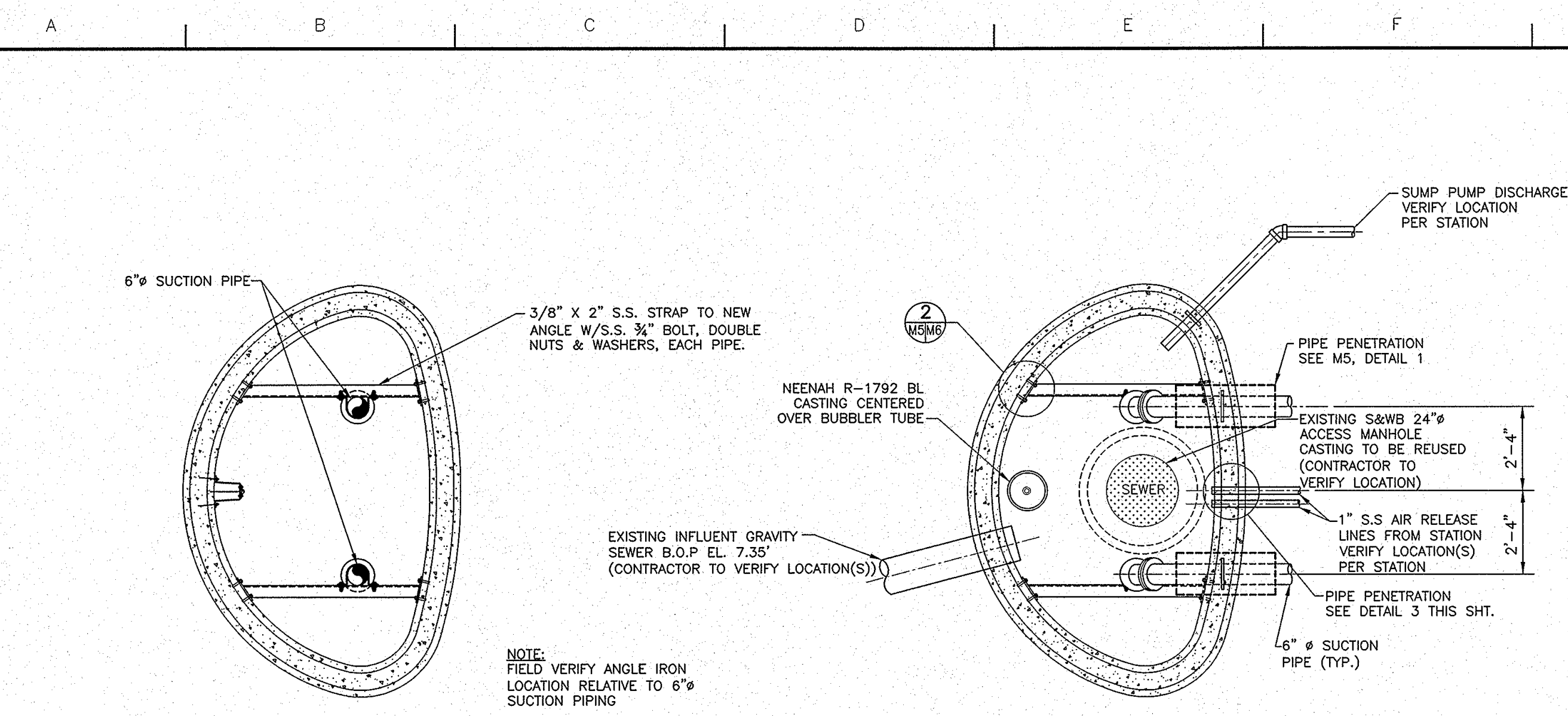
MECO PUMPING STATION
BUILDING PLAN & WET WELL @ EL. 32.00' AND SECTION

DR. M.B. _____
TNC. _____
CK. D.M. _____
AP. R.C. _____
SCALE: AS NOTED
DATE: 12-29-2009

DR. M.B. _____
TNC. _____
CK. D.M. _____
AP. R.C. _____
SCALE: AS NOTED
DATE: 12-29-2009

DWG. No. 12008-W-63

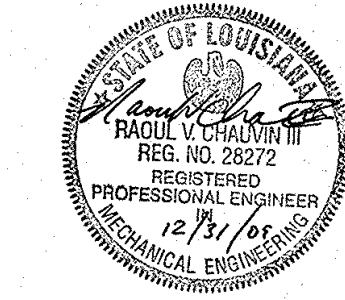
SET NO. _____ SHEET NO. 19 of 28



STATION	ELEVATION CD (FT)										INFLUENT DIAMETER (IN)
	A	B	C	D	E	F	G	H	I	J	
SOUTHERN SCRAP	1.5	3.5	4.5	7.5	8.5	9.5	SEE CIVIL DWG.	19.5	26.26	22.33	10
MECO	1.57	3.57	4.57	7.57	8.57	9.57	SEE CIVIL DWG.	19.5	27.0	22.33	10, 8

- SEE SPECIFICATIONS FOR ADDITIONAL REQUIREMENTS
- CONTRACTOR TO FIELD VERIFY ALL ELEVATIONS PRIOR TO CONSTRUCTION.

FOR REFERENCE ONLY



Infinity
Engineering Consultants, LLC
NEW ORLEANS, LA 70114
REG. NO. 35272
REGISTERED PROFESSIONAL ENGINEER
MECHANICAL ENGINEERING
12/27/14

SEWERAGE AND WATER BOARD OF NEW ORLEANS

CONTRACT No. 3630
HURRICANE KATRINA RELATED REPLACEMENTS OF SOUTHERN SCRAP AND MECO SEWAGE PUMPING STATIONS

WET WELL MODIFICATIONS
PLAN, SECTIONS, AND DETAILS

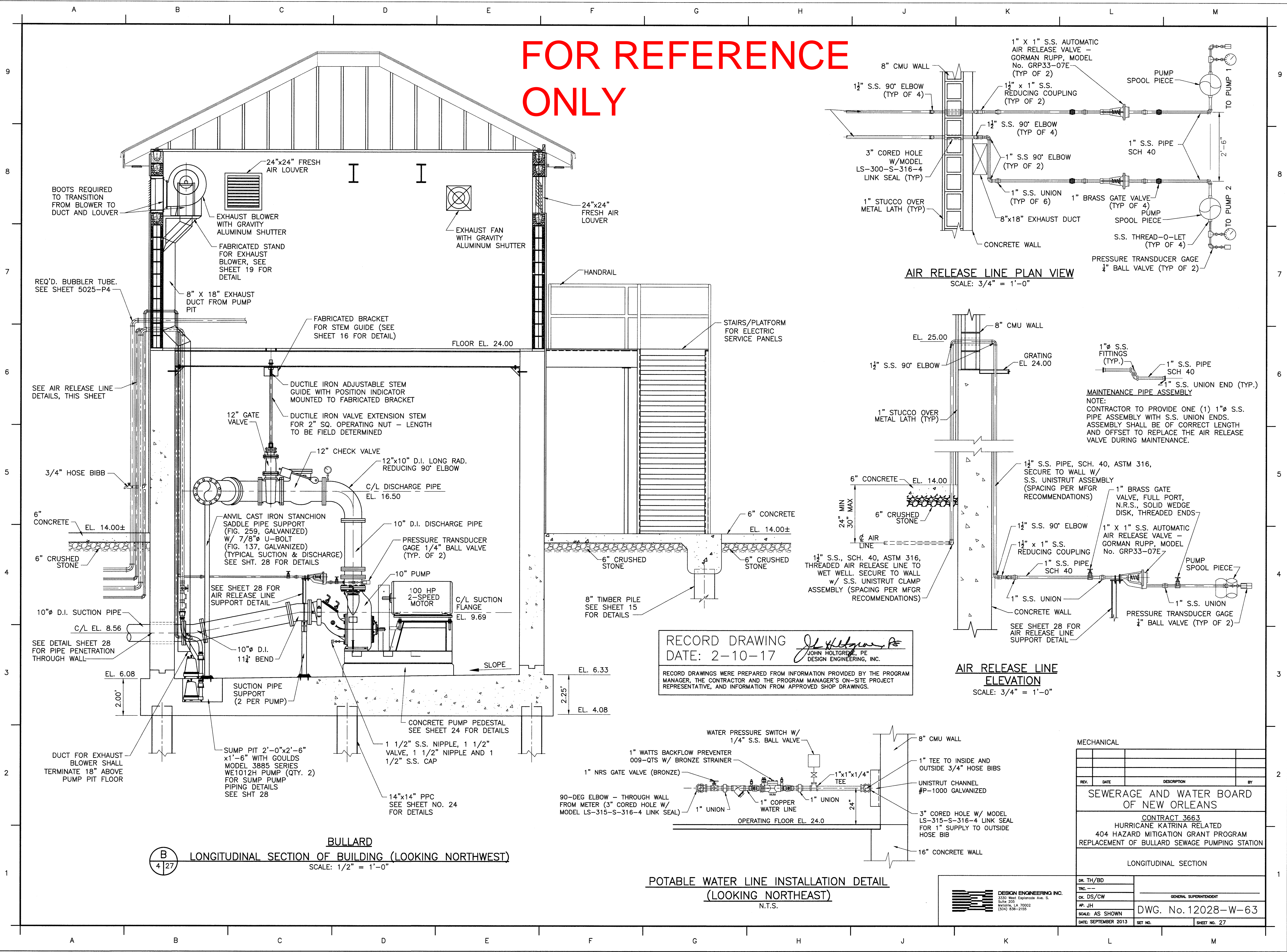
DR. LDA
TRC. --
CK. D.N.
AP. R.C.
SCALE: AS NOTED
DATE: 12-29-2009

Joseph Decker
GENERAL SUPERINTENDENT

DWG. No. 12008-W-63

DATE: 12-29-2009
SHEET NO. 26 OF 28

FOR REFERENCE ONLY



AIR RELEASE LINE PLAN VIEW
SCALE: 3/4" = 1'-0"

AIR RELEASE LINE ELEVATION
SCALE: 3/4" = 1'-0"

RECORD DRAWING
DATE: 2-10-17
JOHN HOLTGREVE, PE
DESIGN ENGINEERING, INC.
RECORD DRAWINGS WERE PREPARED FROM INFORMATION PROVIDED BY THE PROGRAM MANAGER, THE CONTRACTOR AND THE PROGRAM MANAGER'S ON-SITE PROJECT REPRESENTATIVE, AND INFORMATION FROM APPROVED SHOP DRAWINGS.

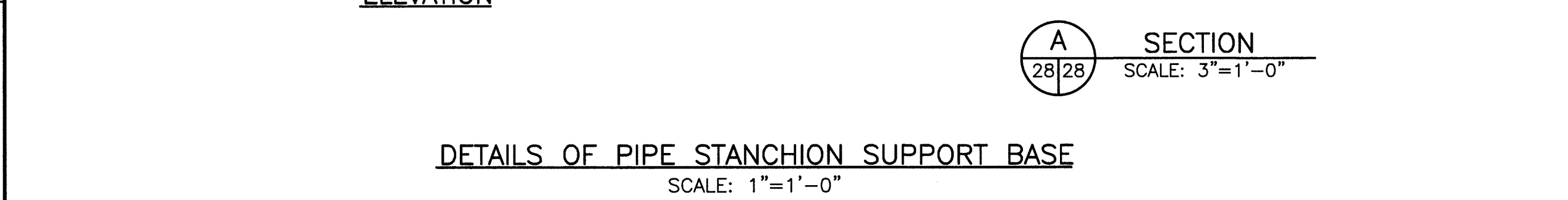
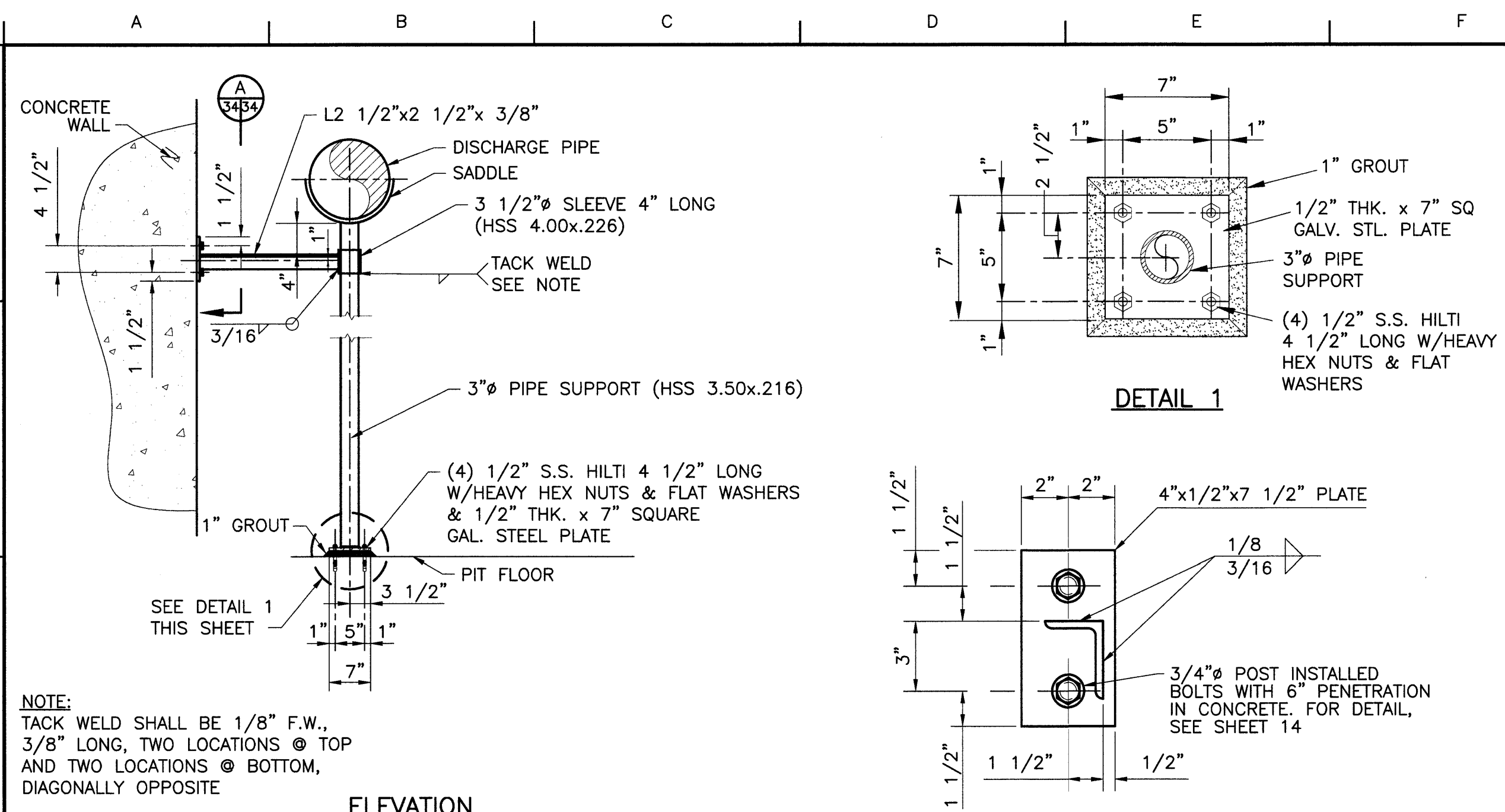
POTABLE WATER LINE INSTALLATION DETAIL
(LOOKING NORTHEAST)
N.T.S.

BULLARD
LONGITUDINAL SECTION OF BUILDING (LOOKING NORTHWEST)
SCALE: 1/2" = 1'-0"

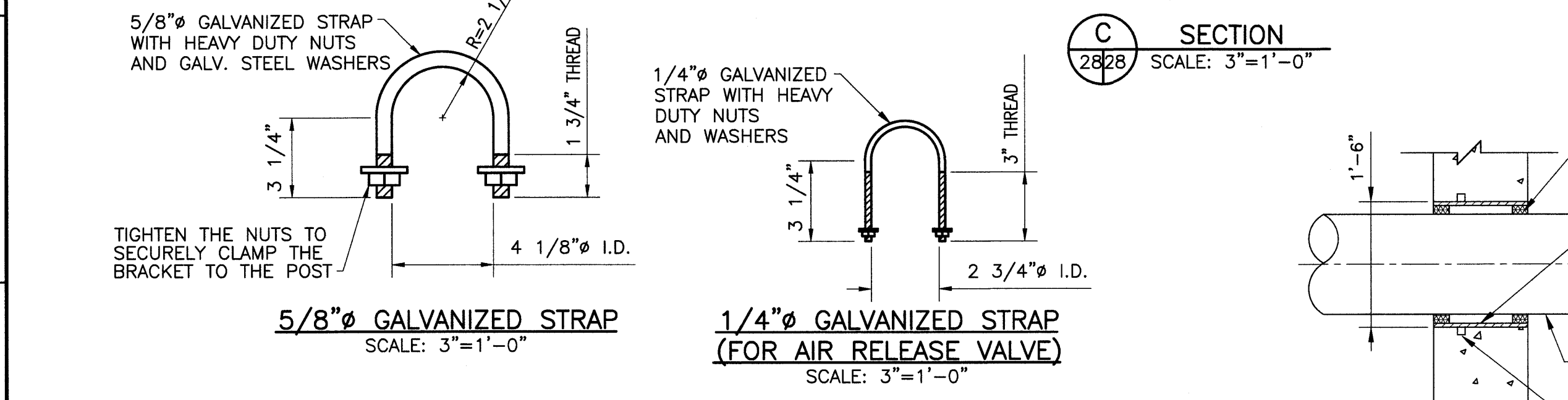
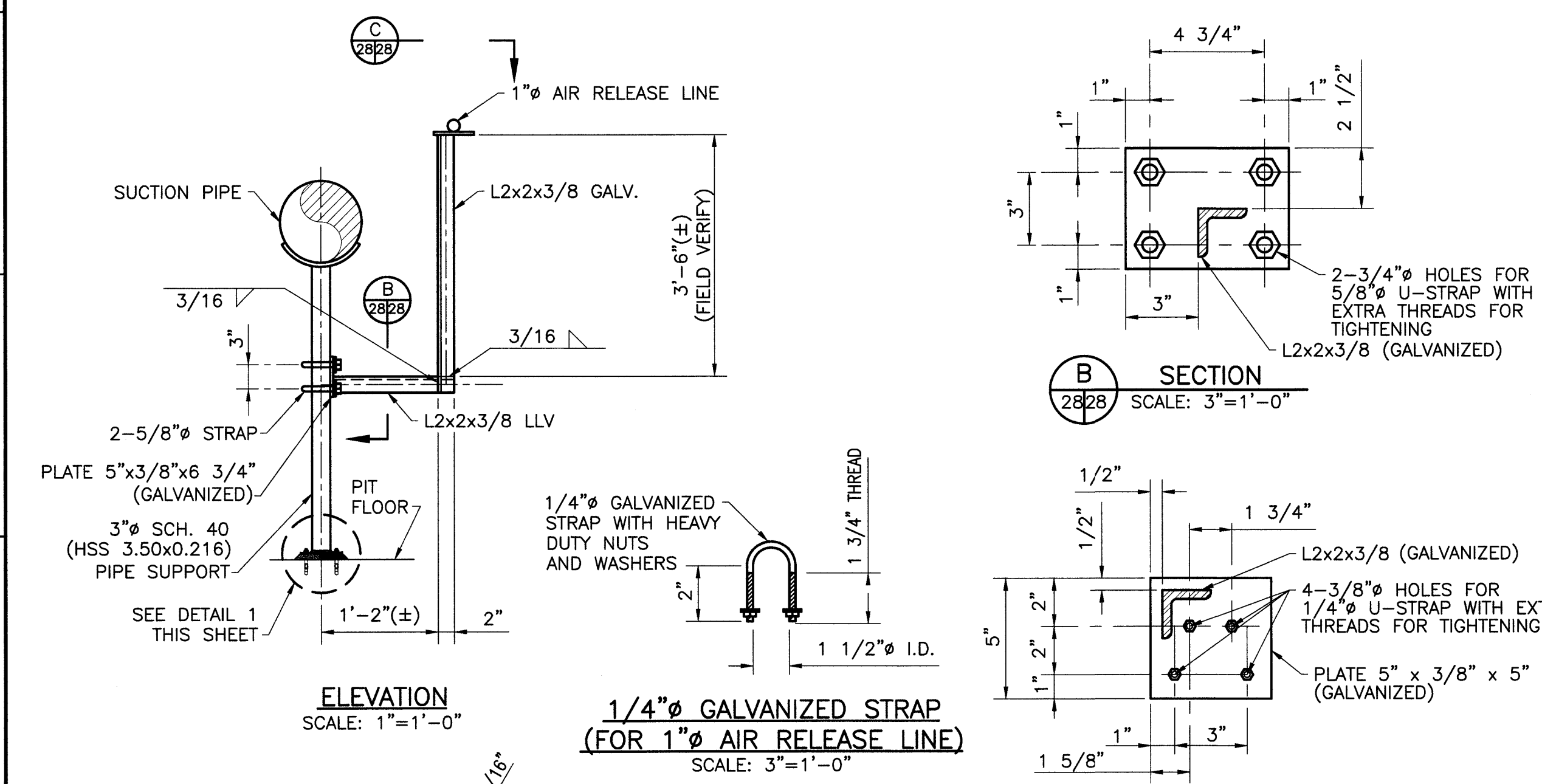
MECHANICAL			
REV.	DATE	DESCRIPTION	BY
SEWERAGE AND WATER BOARD OF NEW ORLEANS			
CONTRACT 3663 HURRICANE KATRINA RELATED 404 HAZARD MITIGATION GRANT PROGRAM REPLACEMENT OF BULLARD SEWAGE PUMPING STATION			
LONGITUDINAL SECTION			
DR. TH/BD			
TRC			
CH. DS/CW			
AP. JH			
SCALE: AS SHOWN		DWG. No. 12028-W-63	
DATE: SEPTEMBER 2013	SET NO.	SHEET NO. 27	

PRINTED Feb 08, 2017 9:07am FILENAME J:\6005.1-(RECORD DRAWINGS)\Contract 3663 - Bullard SPS - (Record Drawings) - February 2017\SH27_BULL_LONG_SEC (RECORD DRAWING).dwg

PRINTED Feb 08, 2017 - 9:08am FILENAME - J:\6005.1-(RECORD DRAWINGS)\Contract 3663 - Bullard SPS - (Record Drawings) - February 2017\SH28_BUL_XS THRU SEC & DET (RECORD DRAWING).dwg

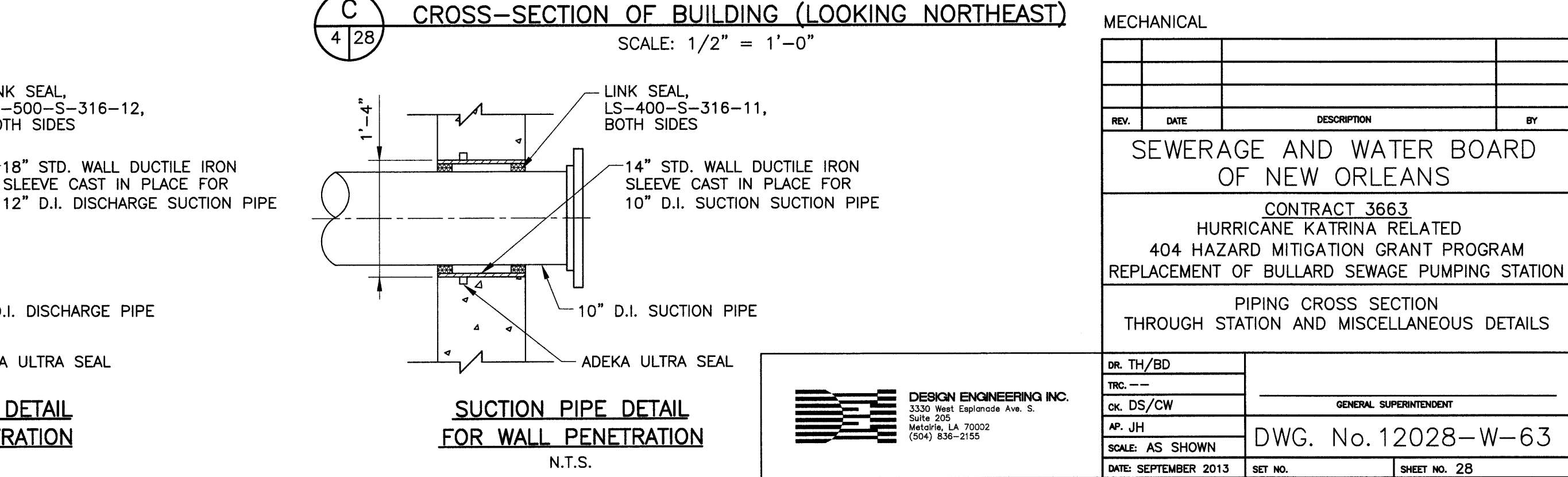
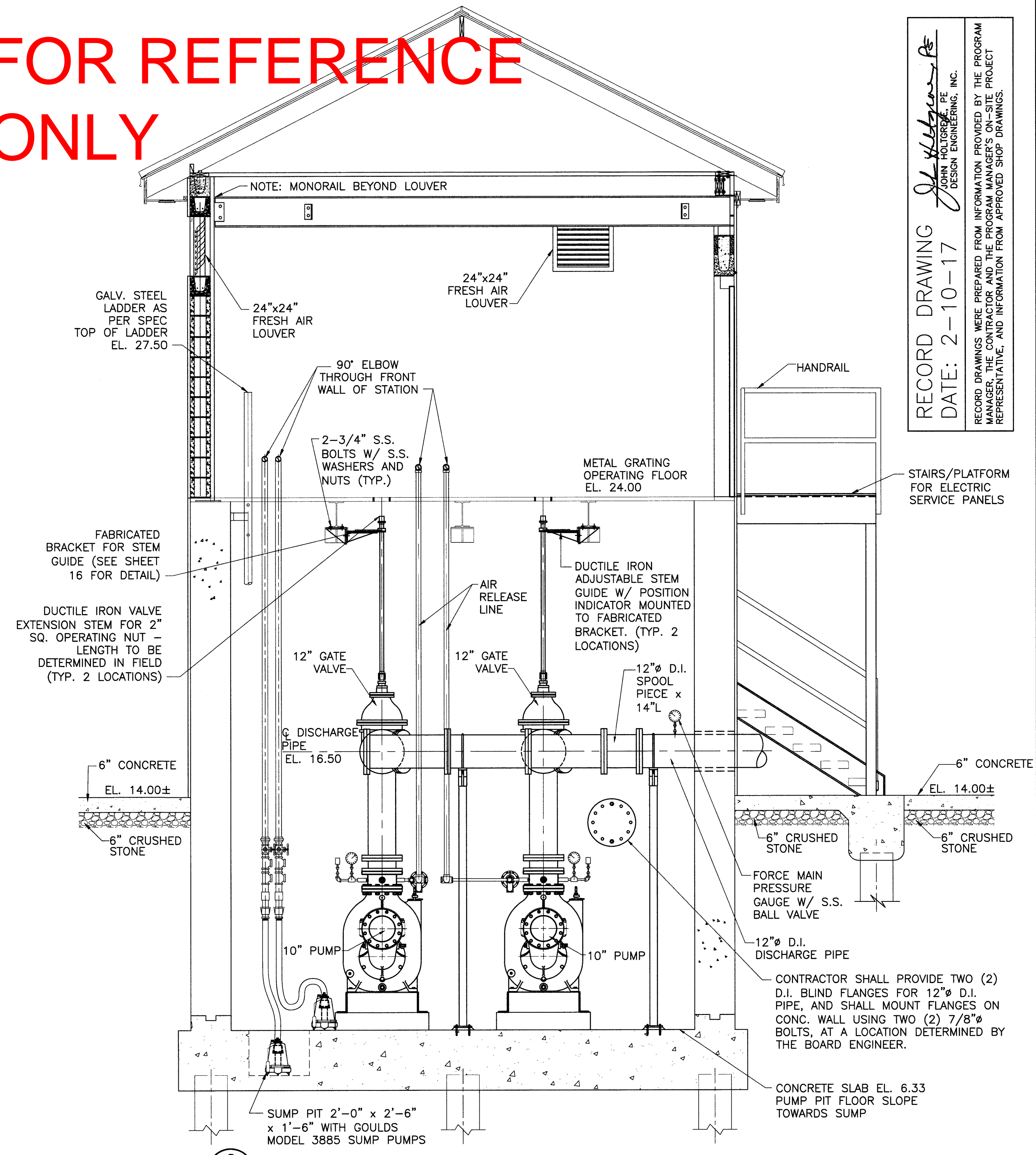


DETAILS OF PIPE STANCHION SUPPORT BASE
SCALE: 1"=1'-0"



DETAILS FOR SUCTION PIPE AND AIR RELEASE LINE SUPPORT
SCALE: AS NOTED

FOR REFERENCE ONLY



RECORD DRAWING
DATE: 2-10-17
JOHN HOLTSRAGE, PE
DESIGN ENGINEER, INC.

RECORD DRAWINGS WERE PREPARED FROM INFORMATION PROVIDED BY THE PROGRAM MANAGER, THE CONTRACTOR AND THE PROGRAM MANAGER'S ON-SITE PROJECT REPRESENTATIVE, AND INFORMATION FROM APPROVED SHOP DRAWINGS.

REV	DATE	DESCRIPTION	BY

SEWERAGE AND WATER BOARD OF NEW ORLEANS

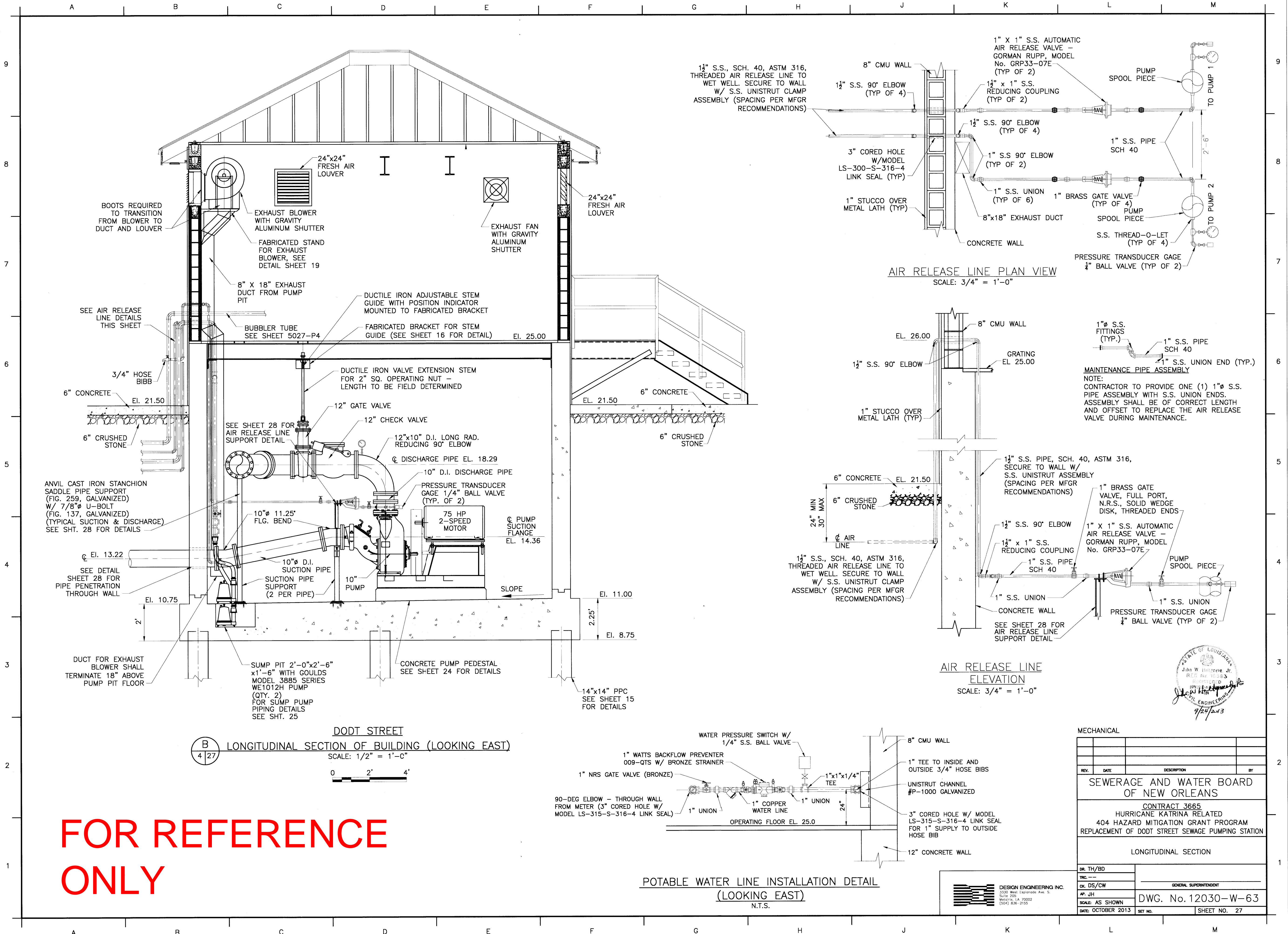
CONTRACT 3663
HURRICANE KATRINA RELATED
404 HAZARD MITIGATION GRANT PROGRAM
REPLACEMENT OF BULLARD SEWAGE PUMPING STATION

PIPING CROSS SECTION THROUGH STATION AND MISCELLANEOUS DETAILS

DR. TH/BD	
TIC. --	
CK. DS/CW	
AP. JH	
SCALE: AS SHOWN	DWG. No. 12028-W-63
DATE: SEPTEMBER 2013	SHEET NO. 28

DESIGN ENGINEERING INC.
3302 West Eschwege Ave. S.
Suite 205
Metairie, LA 70002
(504) 838-2155

PRINTED Oct 18, 2013 - 8:50am FILENAME J:\6005.1-(CONFORMED DRAWINGS)\Contract 3665 - Dodt Street SPS\SHF 27_DODT_LONG_SEC.dwg



FOR REFERENCE ONLY

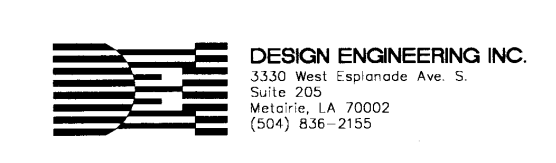
B LONGITUDINAL SECTION OF BUILDING (LOOKING EAST)
SCALE: 1/2" = 1'-0"
0 2' 4'

AIR RELEASE LINE PLAN VIEW
SCALE: 3/4" = 1'-0"

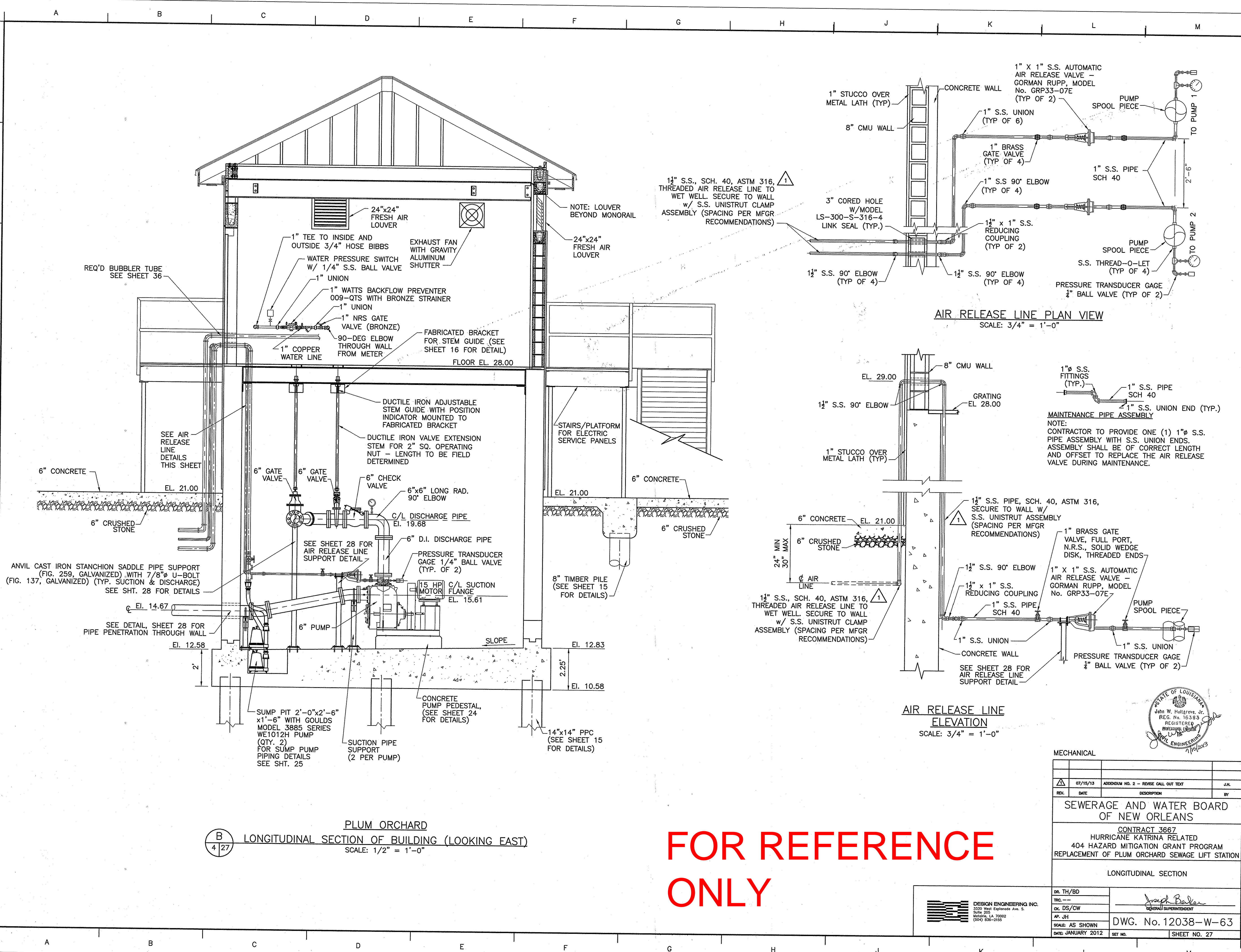
AIR RELEASE LINE ELEVATION
SCALE: 3/4" = 1'-0"

POTABLE WATER LINE INSTALLATION DETAIL (LOOKING EAST)
N.T.S.

MECHANICAL			
REV.	DATE	DESCRIPTION	BY
SEWERAGE AND WATER BOARD OF NEW ORLEANS			
CONTRACT 3665 HURRICANE KATRINA RELATED 404 HAZARD MITIGATION GRANT PROGRAM REPLACEMENT OF DODT STREET SEWAGE PUMPING STATION			
LONGITUDINAL SECTION			
DR. TH/BD			
CHK. DS/CW			
AP. JH			
SCALE: AS SHOWN		DWG. No. 12030-W-63	
DATE: OCTOBER 2013	SET NO.		SHEET NO. 27



FILENAME = J:\00001\GOSHIF-2013\Contract 3667 - Plum Orchard SPS\SH 27_P_O_LONG SEC.dwg
 CONTRACT 3667 - Plum Orchard SPS\SH 27_P_O_LONG SEC.dwg



B
 4/27
 PLUM ORCHARD
 LONGITUDINAL SECTION OF BUILDING (LOOKING EAST)
 SCALE: 1/2" = 1'-0"

AIR RELEASE LINE PLAN VIEW
 SCALE: 3/4" = 1'-0"

AIR RELEASE LINE
 ELEVATION
 SCALE: 3/4" = 1'-0"

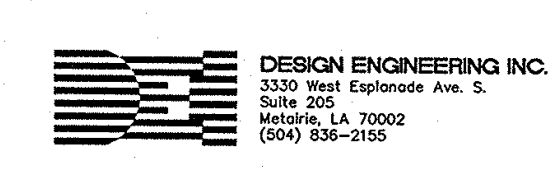
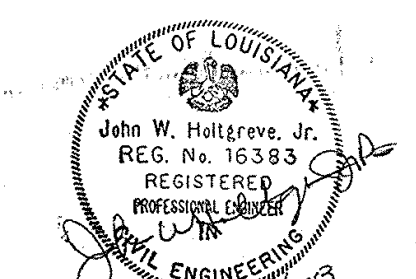
FOR REFERENCE
 ONLY

REV.	DATE	DESCRIPTION	BY
△	07/15/13	ADDENDUM NO. 2 - REVISE CALL OUT TEXT	J.H.

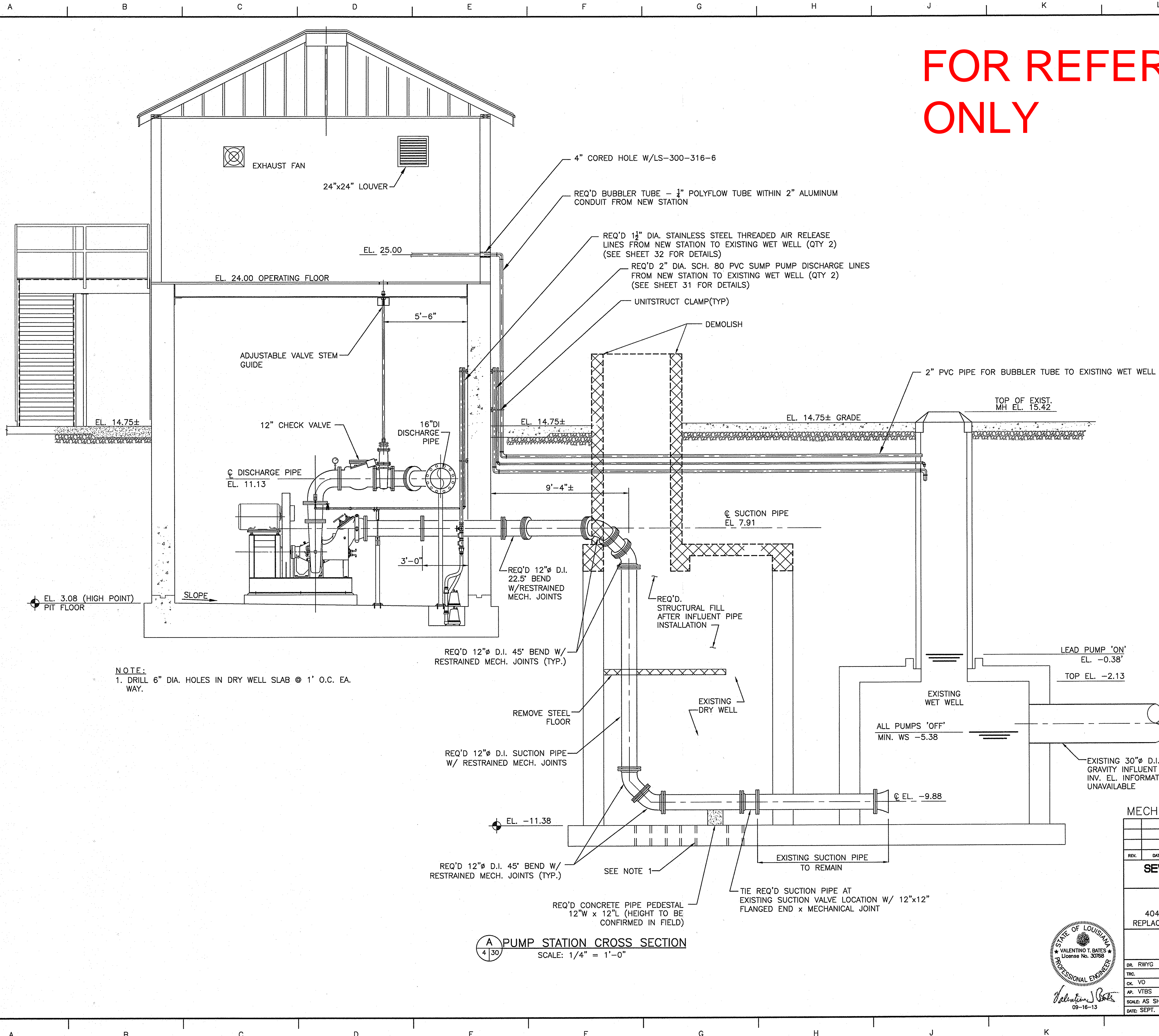
**SEWERAGE AND WATER BOARD
 OF NEW ORLEANS**
 CONTRACT 3667
 HURRICANE KATRINA RELATED
 404 HAZARD MITIGATION GRANT PROGRAM
 REPLACEMENT OF PLUM ORCHARD SEWAGE LIFT STATION

LONGITUDINAL SECTION

DR. TH/BD	
TRC. ---	
CK. DS/CW	
AP. JH	
SCALE: AS SHOWN	DWG. No. 12038-W-63
DATE: JANUARY 2012	SHEET NO. 27

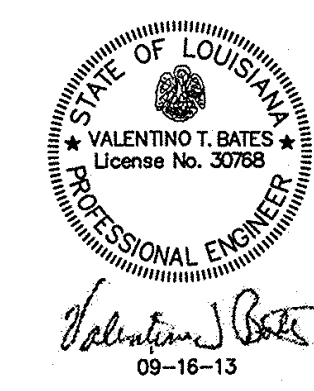


FOR REFERENCE ONLY



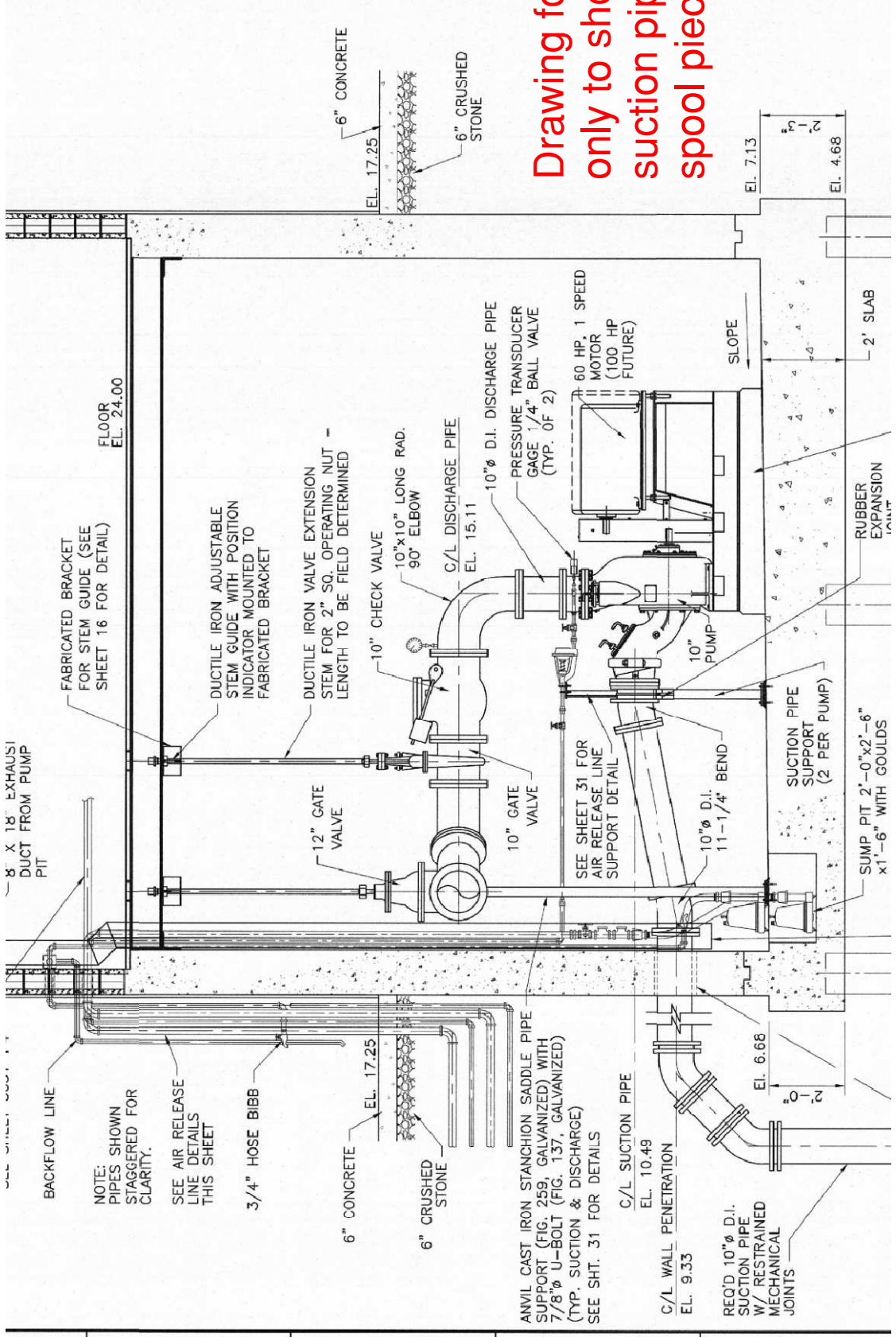
NOTE:
 1. DRILL 6" DIA. HOLES IN DRY WELL SLAB @ 1' O.C. EA. WAY.

A PUMP STATION CROSS SECTION
 SCALE: 1/4" = 1'-0"



MECHANICAL			
REV.	DATE	DESCRIPTION	BY
SEWERAGE AND WATER BOARD OF NEW ORLEANS CONTRACT 3788 HURRICANE KATRINA RELATED 404 HAZARD MITIGATION GRANT PROGRAM REPLACEMENT OF BURKE SEWAGE PUMPING STATION PIPING CROSS SECTION THROUGH STATION AND WETWELL			
DR. RWYG			
TRE.			
CK. VO			
AP. VTBS			
SCALE: AS SHOWN			
DATE: SEPT. 2013	SET NO.	SHEET NO. 30 OF 47	

FILE: S:\Engineer\2002 Burke Sewerage Pump Station\Drawings\Mechanical\200001_30_Pipe_Cross_Section.dwg
 PLOT DATE: 9/18/2013 10:05:51 AM
 PLOTTED BY: RICK YOUNG
 LAST SAVE: 9/18/2013 11:20 AM



Drawing for reference
 only to show typical
 suction piping with
 spool piece.